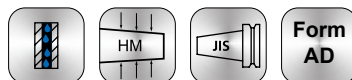
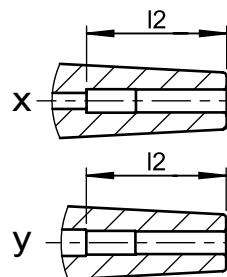
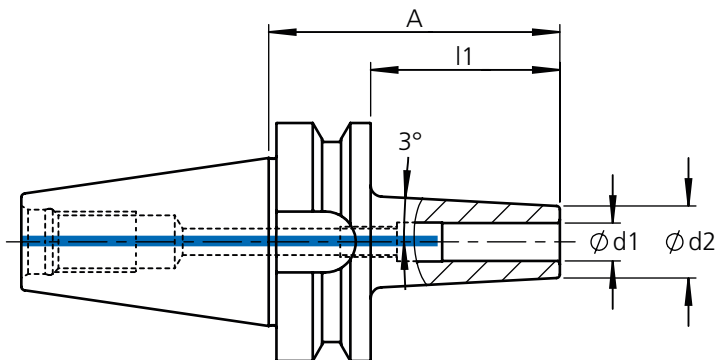


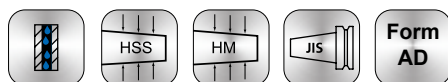
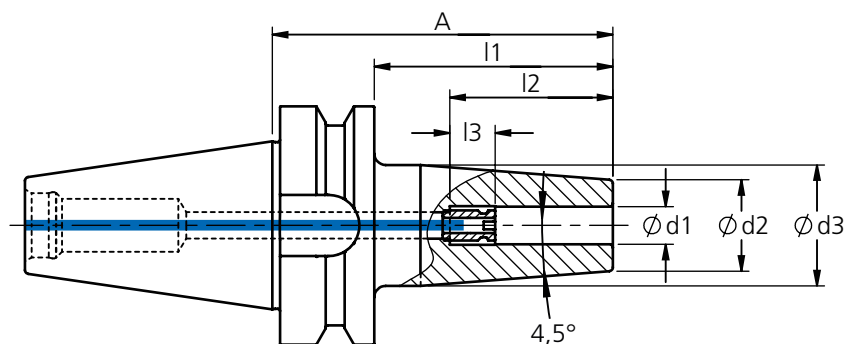
Tepelný upínač BT30 JIS B 6339 AD
úzké provedení 3°



JIS B6339

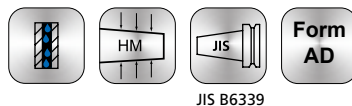
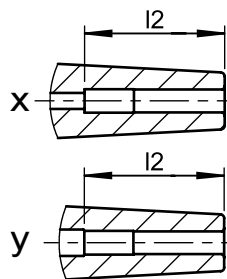
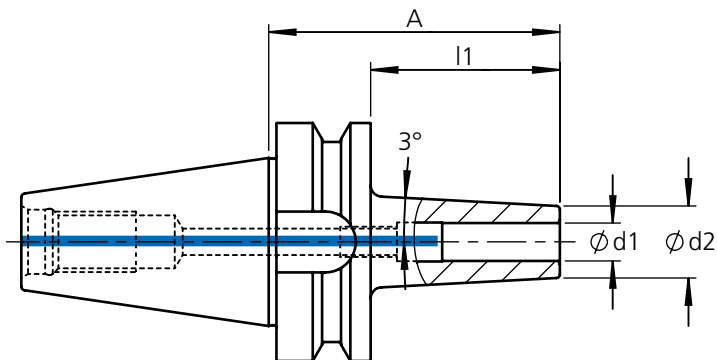
OBJEDNACÍ ČÍSLO	BT	Ø d1	Ø d2	Ø d3	A	l1	l2	x	y		
915 - BT300350	BT30	3	11	-	72	50	12		x	G2,5/18.000	
915 - BT300375	BT30	3	11	-	97	75	12		x		
915 - BT300450	BT30	4	11	-	72	50	16		x		
915 - BT300475	BT30	4	11	-	97	75	16		x		
915 - BT300550	BT30	5	13	-	72	50	20		x		
915 - BT300575	BT30	5	13	-	97	75	20		x		
915 - BT300650	BT30	6	15	-	72	50	36		x		
915 - BT300675	BT30	6	15	-	97	75	36		x		
915 - BT300850	BT30	8	17	-	72	50	36		x		
915 - BT300875	BT30	8	17	-	97	75	36		x		
915 - BT301050	BT30	10	19	-	72	50	41		x		
915 - BT301075	BT30	10	19	-	97	75	41		x		
915 - BT301250	BT30	12	22	-	72	50	47	x			
915 - BT301275	BT30	12	22	-	97	75	47	x			
915 - BT301660	BT30	16	27	-	82	60	50	x			
915 - BT302075	BT30	20	33	-	97	75	50	x			


Tepelný upínač BT30 JIS B 6339 AD
standardní provedení 4,5°
včetně dorazového šroubku



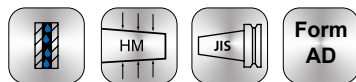
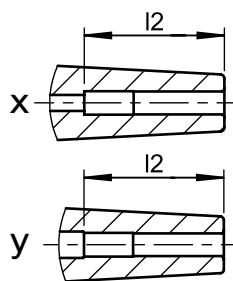
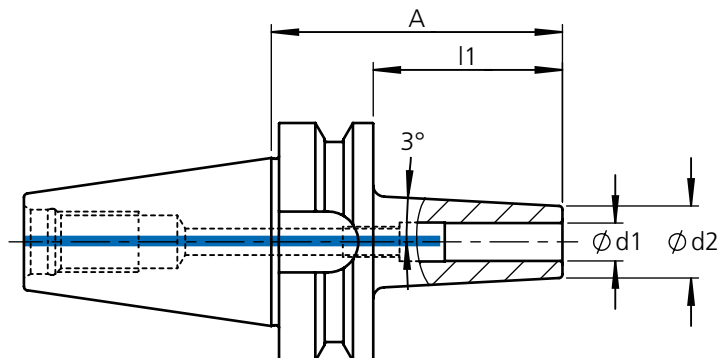
JIS B6339

OBJEDNACÍ ČÍSLO	BT	Ø d1	Ø d2	Ø d3	A	l1	l2	l3		
985 - BT3003A80	BT30	3	11	15	80	58	12	-	-	G2,5/18.000
985 - BT3004A80	BT30	4	14	22	80	58	16	-	-	
985 - BT3005A60	BT30	5	10	-	60	38	20	-	-	
985 - BT3005A80	BT30	5	16	22	80	58	20	-	-	
985 - BT3006A60	BT30	6	23	-	60	38	36	10	948-001	
985 - BT3006A80	BT30	6	21	27	80	58	36	10	948-001	
985 - BT3008A60	BT30	8	23	-	60	38	36	10	948-002	
985 - BT3008A80	BT30	8	21	27	80	58	36	10	948-002	
985 - BT3010A60	BT30	10	27	-	60	38	41	10	948-003	
985 - BT3010A80	BT30	10	24	32	80	58	41	10	948-003	
985 - BT3012A60	BT30	12	27	-	60	58	47	10	948-004	
985 - BT3012A80	BT30	12	24	32	80	58	47	10	948-004	
985 - BT3014A80	BT30	14	27	34	80	58	47	10	948-004	
985 - BT3016A65	BT30	16	30	-	65	43	50	10	948-005	
985 - BT3016A80	BT30	16	27	34	80	58	50	10	948-005	
985 - BT3020A80	BT30	20	33	42	80	58	52	10	948-006	



OBJEDNACÍ ČÍSLO	BT	Ø d1	Ø d2	Ø d3	A	l1	l2	x	y		
915 - BT400350	BT40	3	11	-	77	50	12		x	G2,5/18.000	
915 - BT400375	BT40	3	11	-	102	75	12		x		
915 - BT4003100	BT40	3	11	-	127	100	12		x		
915 - BT4003150	BT40	3	11	-	177	150	12		x		
915 - BT4003200	BT40	3	11	-	227	200	12		x		
915 - BT400450	BT40	4	11	-	77	50	16		x		
915 - BT400475	BT40	4	11	-	102	75	16		x		
915 - BT4004100	BT40	4	11	-	127	100	16		x		
915 - BT4004150	BT40	4	11	-	177	150	16		x		
915 - BT4004200	BT40	4	11	-	227	200	16		x		
915 - BT400550	BT40	5	13	-	77	50	20		x		
915 - BT400575	BT40	5	13	-	102	75	20		x		
915 - BT4005100	BT40	5	13	-	127	100	20		x		
915 - BT400650	BT40	6	15	-	77	50	36		x		
915 - BT400675	BT40	6	15	-	102	75	36		x		
915 - BT4006100	BT40	6	15	-	127	100	36		x		
915 - BT4006150	BT40	6	15	-	177	150	36	x			
915 - BT4006200	BT40	6	15	-	227	200	36	x			
915 - BT400850	BT40	8	17	-	77	50	36		x		
915 - BT400875	BT40	8	17	-	102	75	36		x		
915 - BT4008100	BT40	8	17	-	127	100	36		x		
915 - BT4008150	BT40	8	17	-	177	150	36	x			
915 - BT4008200	BT40	8	17	-	227	200	36	x			
915 - BT401050	BT40	10	19	-	77	50	41		x		
915 - BT401075	BT40	10	19	-	102	75	41		x		
915 - BT4010100	BT40	10	19	-	127	100	41		x		
915 - BT4010150	BT40	10	19	-	177	150	41	x			
915 - BT4010200	BT40	10	19	-	227	200	41	x			
915 - BT401250	BT40	12	22	-	77	50	47		x		
915 - BT401275	BT40	12	22	-	102	75	47		x		
915 - BT4012100	BT40	12	22	-	127	100	47		x		
915 - BT4012150	BT40	12	22	-	177	150	47	x			
915 - BT4012200	BT40	12	22	-	227	200	47	x			

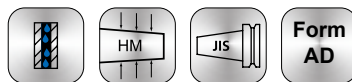
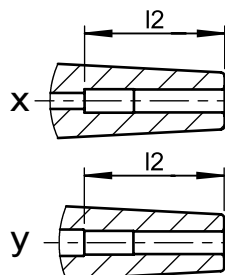
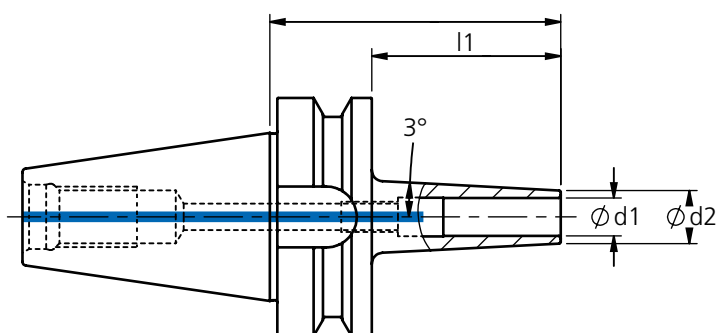
Tepelný upínač BT40 JIS B 6339 AD úzké provedení 3°



JIS B6339

OBJEDNACÍ ČÍSLO	BT	Ø d1	Ø d2	Ø d3	A	l1	l2	x	y		
915 - BT401450	BT40	14	24	-	77	50	47	x		G2,5/18.000	
915 - BT401475	BT40	14	24	-	102	75	47	x			
915 - BT4014100	BT40	14	24	-	127	100	47	x			
915 - BT4014150	BT40	14	24	-	177	150	47	x			
915 - BT401650	BT40	16	27	-	77	50	50	x			
915 - BT401660	BT40	16	27	-	87	60	50	x			
915 - BT401675	BT40	16	27	-	102	75	50	x			
915 - BT4016100	BT40	16	27	-	127	100	50	x			
915 - BT4016150	BT40	16	27	-	177	150	50	x			
915 - BT401850	BT40	18	30	-	77	50	50	x			
915 - BT4018100	BT40	18	30	-	127	100	50	x			
915 - BT402050	BT40	20	33	-	77	50	52	x			
915 - BT4020100	BT40	20	33	-	127	100	52	x			
915 - BT4020150	BT40	20	33	-	177	150	52	x			
915 - BT402560	BT40	25	44	-	87	60	58	x			
915 - BT4025100	BT40	25	44	-	127	100	58	x			

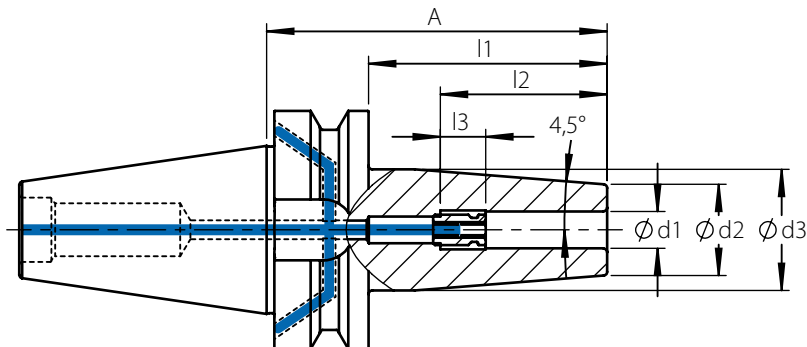
Tepelný upínač BT40 JIS B 6339 AD
extra úzké provedení 3°



JIS B6339

OBJEDNACÍ ČÍSLO	BT	Ø d1	Ø d2	Ø d3	A	l1	l2	x	y		
925 - BT400375	BT40	3	7	-	102	75	12		x	G2,5/18.000	
925 - BT4003100	BT40	3	7	-	127	100	12		x		
925 - BT400475	BT40	4	8	-	102	75	16		x		
925 - BT4004100	BT40	4	8	-	127	100	16		x		
925 - BT4004150	BT40	4	8	-	177	150	16		x		
925 - BT400650	BT40	6	10	-	77	50	36	x			
925 - BT400675	BT40	6	10	-	102	75	36	x			
925 - BT4006100	BT40	6	10	-	127	100	36	x			
925 - BT4006150	BT40	6	10	-	177	150	36	x			
925 - BT4006200	BT40	6	10	-	227	200	36	x			
925 - BT400850	BT40	8	12	-	77	50	36	x			
925 - BT400875	BT40	8	12	-	102	75	36	x			
925 - BT4008100	BT40	8	12	-	127	100	36	x			
925 - BT4008150	BT40	8	12	-	177	150	36	x			
925 - BT4008200	BT40	8	12	-	227	200	36	x			
925 - BT401050	BT40	10	14	-	77	50	41	x			
925 - BT401075	BT40	10	14	-	102	75	41	x			
925 - BT4010100	BT40	10	14	-	127	100	41	x			
925 - BT4010150	BT40	10	14	-	177	150	41	x			
925 - BT4010200	BT40	10	14	-	227	200	41	x			
925 - BT401250	BT40	12	16	-	77	50	47	x			
925 - BT401275	BT40	12	16	-	102	75	47	x			
925 - BT4012100	BT40	12	16	-	127	100	47	x			
925 - BT4012150	BT40	12	16	-	177	150	47	x			
925 - BT4012200	BT40	12	16	-	227	200	47	x			
925 - BT401675	BT40	16	22	-	102	75	50	x			

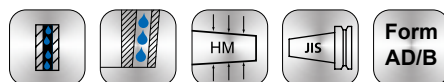
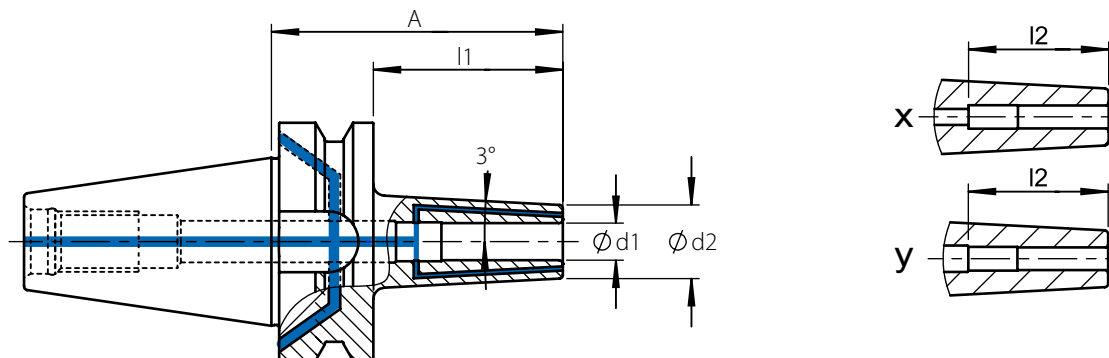
Tepelný upínač BT40 JIS B 6339 AD/B
standardní provedení 4,5°
včetně dorazového šroubku



JIS B6339

OBJEDNACÍ ČÍSLO	BT	Ø d1	Ø d2	Ø d3	A	l1	l2	l3		
985 - BT4003A80	BT40	3	11	15	80	53	12	-	-	
985 - BT4004A80	BT40	4	14	22	80	53	16	-	-	
985 - BT4005A80	BT40	5	16	22	80	53	20	-	-	
985 - BT4006A90	BT40	6	21	27	90	63	36	10	948-001	
985 - BT4006A120	BT40	6	21	27	120	93	36	10	948-001	
985 - BT4006A160	BT40	6	21	27	160	133	36	10	948-001	
985 - BT4008A90	BT40	8	21	27	90	63	36	10	948-002	
985 - BT4008A120	BT40	8	21	27	120	93	36	10	948-002	
985 - BT4008A160	BT40	8	21	27	160	133	36	10	948-002	
985 - BT4010A90	BT40	10	24	32	90	63	41	10	948-003	
985 - BT4010A120	BT40	10	24	32	120	93	41	10	948-003	
985 - BT4010A160	BT40	10	24	32	160	133	41	10	948-003	
985 - BT4012A90	BT40	12	24	32	90	63	47	10	948-004	
985 - BT4012A120	BT40	12	24	32	120	93	47	10	948-004	
985 - BT4012A160	BT40	12	24	32	160	133	47	10	948-004	G2,5/18.000
985 - BT4014A90	BT40	14	27	34	90	63	47	10	948-004	
985 - BT4014A120	BT40	14	27	34	120	93	47	10	948-004	
985 - BT4016A90	BT40	16	27	34	90	63	50	10	948-005	
985 - BT4016A120	BT40	16	27	34	120	93	50	10	948-005	
985 - BT4016A160	BT40	16	27	34	160	133	50	10	948-005	
985 - BT4018A90	BT40	18	33	42	90	63	50	10	948-005	
985 - BT4018A120	BT40	18	33	42	120	93	50	10	948-005	
985 - BT4020A90	BT40	20	33	42	90	63	52	10	948-006	
985 - BT4020A120	BT40	20	33	42	120	93	52	10	948-006	
985 - BT4020A160	BT40	20	33	42	160	133	52	10	948-006	
985 - BT4025A100	BT40	25	44	52	100	73	58	10	948-006	
985 - BT4025A160	BT40	25	44	52	160	133	58	10	948-006	
985 - BT4032A100	BT40	32	44	52	100	73	62	10	948-006	
985 - BT4032A160	BT40	32	44	52	160	133	62	10	948-006	

Tepelný upínač BT40 JIS B 6339 AD/B
úzké provedení 3°
+ 3 chladící kanálky Ø1mm



JIS B6339

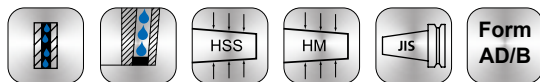
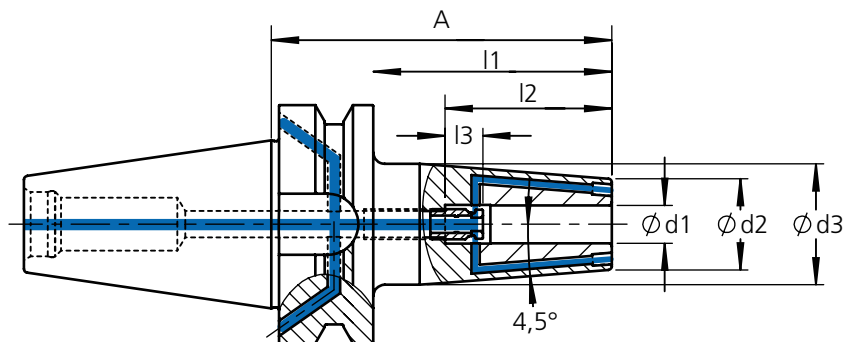
Form AD/B

OBJEDNACÍ ČÍSLO	BT	Ø d1	Ø d2	Ø d3	A	l1	l2	x	y	
996 - BT400475	BT40	4	11	-	102	75	16		x	G2,5/18.000
996 - BT4004100	BT40	4	11	-	127	100	16		x	
996 - BT400675	BT40	6	15	-	102	75	36		x	
996 - BT4006100	BT40	6	15	-	127	100	36		x	
996 - BT4006150	BT40	6	15	-	177	150	36	x		
996 - BT400875	BT40	8	17	-	102	75	36		x	
996 - BT4008100	BT40	8	17	-	127	100	36		x	

Tepelný upínač BT40 JIS B 6339 AD/B



standardní provedení 4,5°

s utěsnitelnými kanálky a včetně dorazového šroubku

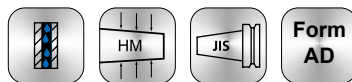
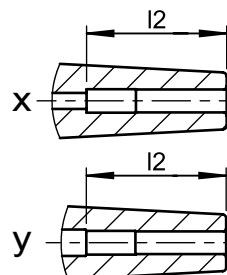
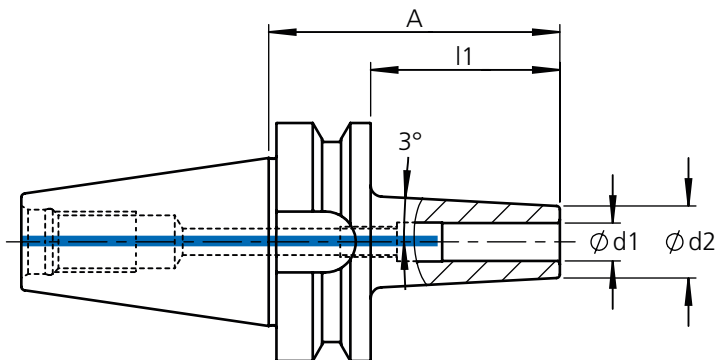


JIS B6339

Form AD/B

OBJEDNACÍ ČÍSLO	BT	Ø d1	Ø d2	Ø d3	A	l1	l2	l3			
995 - BT4006A90	BT40	6	21	27	90	63	36	10	948-001	G2,5/18.000	
995 - BT4006A120	BT40	6	21	27	120	93	36	10	948-001		
995 - BT4006A160	BT40	6	21	27	160	133	36	10	948-001		
995 - BT4008A90	BT40	8	21	27	90	63	36	10	948-002		
995 - BT4008A120	BT40	8	21	27	120	93	36	10	948-002		
995 - BT4008A160	BT40	8	21	27	160	133	36	10	948-002		
995 - BT4010A90	BT40	10	24	32	90	63	41	10	948-003		
995 - BT4010A120	BT40	10	24	32	120	93	41	10	948-003		
995 - BT4010A160	BT40	10	24	32	160	133	41	10	948-003		
995 - BT4012A90	BT40	12	24	32	90	63	47	10	948-004		
995 - BT4012A120	BT40	12	24	32	120	93	47	10	948-004		
995 - BT4012A160	BT40	12	24	32	160	133	47	10	948-004		
995 - BT4014A90	BT40	14	27	34	90	63	47	10	948-004		
995 - BT4016A90	BT40	16	27	34	90	63	50	10	948-005		
995 - BT4016A120	BT40	16	27	34	120	93	50	10	948-005		
995 - BT4016A160	BT40	16	27	34	160	133	50	10	948-005		
995 - BT4020A90	BT40	20	33	42	90	63	52	10	948-006		
995 - BT4020A120	BT40	20	33	42	120	93	52	10	948-006		
995 - BT4025A100	BT40	25	44	52	100	73	58	10	948-006		

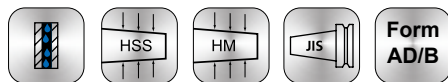
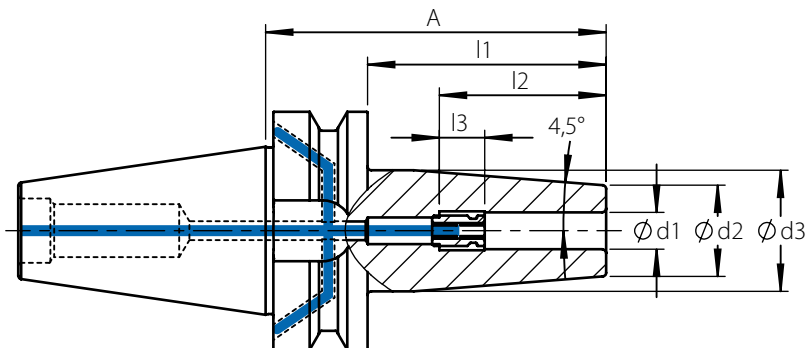
Tepelný upínač BT50 JIS B 6339 AD
úzké provedení 3°





JIS B6339

OBJEDNACÍ ČÍSLO	BT	Ø d1	Ø d2	Ø d3	A	l1	l2	x	y	
915 - BT500650	BT50	6	15	-	88	50	36		x	G6,3/10.000
915 - BT5006100	BT50	6	15	-	138	100	36		x	
915 - BT5006150	BT50	6	15	-	188	150	36	x		
915 - BT5006200	BT50	6	15	-	238	200	36	x		
915 - BT500850	BT50	8	17	-	88	50	36		x	
915 - BT5008100	BT50	8	17	-	138	100	36		x	
915 - BT5008150	BT50	8	17	-	188	150	36	x		
915 - BT5008200	BT50	8	17	-	238	200	36	x		
915 - BT501050	BT50	10	19	-	88	50	41		x	
915 - BT5010100	BT50	10	19	-	138	100	41		x	
915 - BT5010150	BT50	10	19	-	188	150	41	x		
915 - BT5010200	BT50	10	19	-	238	200	41	x		
915 - BT501250	BT50	12	22	-	88	50	47		x	
915 - BT501275	BT50	12	22	-	113	75	47		x	
915 - BT5012100	BT50	12	22	-	138	100	47		x	
915 - BT5012150	BT50	12	22	-	188	150	47	x		
915 - BT5012200	BT50	12	22	-	238	200	47	x		
915 - BT501450	BT50	14	24	-	88	50	47		x	
915 - BT5014100	BT50	14	24	-	138	100	47		x	
915 - BT5014150	BT50	14	24	-	188	150	47	x		
915 - BT501675	BT50	16	27	-	113	75	50		x	
915 - BT5016100	BT50	16	27	-	138	100	50		x	
915 - BT5016150	BT50	16	27	-	188	150	50	x		
915 - BT5016200	BT50	16	27	-	238	200	50	x		
915 - BT501875	BT50	18	27	-	113	75	50	x		
915 - BT5018100	BT50	18	27	-	138	100	50	x		
915 - BT502075	BT50	20	33	-	113	75	52		x	
915 - BT5020100	BT50	20	33	-	138	100	52		x	
915 - BT5020150	BT50	20	33	-	188	150	52	x		
915 - BT5020200	BT50	20	33	-	238	200	52	x		
915 - BT5025100	BT50	25	44	-	138	100	58	x		
915 - BT5025150	BT50	25	44	-	188	150	58	x		
915 - BT5025200	BT50	25	44	-	238	200	58	x		

Tepelný upínač BT50 JIS B 6339 AD/B
standardní provedení 4,5°
včetně dorazového šroubku



JIS B6339

OBJEDNACÍ ČÍSLO	BT	Ø d1	Ø d2	Ø d3	A	l1	l2	l3		
985 - BT5006A100	BT50	6	21	27	100	62	36	10	948-001	G2,5/18.000
985 - BT5006A160	BT50	6	21	27	160	122	36	10	948-001	
985 - BT5008A100	BT50	8	21	27	100	62	36	10	948-002	
985 - BT5008A160	BT50	8	21	27	160	122	36	10	948-002	
985 - BT5010A100	BT50	10	24	32	100	62	41	10	948-003	
985 - BT5010A160	BT50	10	24	32	160	122	41	10	948-003	
985 - BT5012A100	BT50	12	24	32	100	62	47	10	948-004	
985 - BT5012A160	BT50	12	24	32	160	122	47	10	948-004	
985 - BT5014A100	BT50	14	27	34	100	62	47	10	948-004	
985 - BT5014A160	BT50	14	27	34	160	122	47	10	948-004	
985 - BT5016A100	BT50	16	27	34	100	62	50	10	948-005	
985 - BT5016A160	BT50	16	27	34	160	122	50	10	948-005	
985 - BT5018A100	BT50	18	33	42	100	62	50	10	948-005	
985 - BT5018A160	BT50	18	33	42	160	122	50	10	948-005	
985 - BT5020A100	BT50	20	33	42	100	62	52	10	948-006	
985 - BT5020A160	BT50	20	33	42	160	122	52	10	948-006	
985 - BT5020A200	BT50	20	33	42	200	162	52	10	948-006	
985 - BT5025A120	BT50	25	44	52	120	82	58	10	948-006	
985 - BT5032A120	BT50	32	44	52	120	82	62	10	948-006	