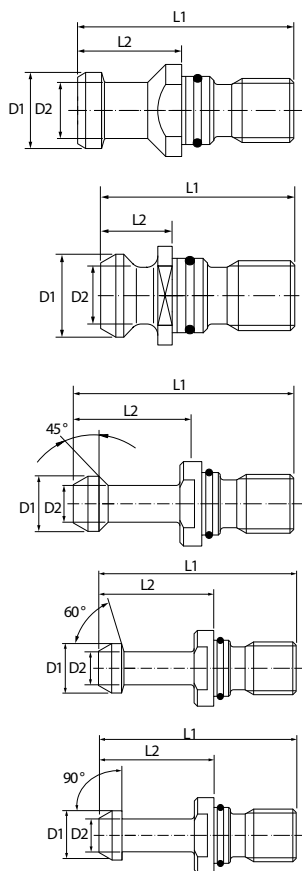


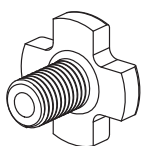
# ► Upínací čepy



|              | Stopka | Závit | Úhel            | Průchozí        | Slepý           | D1 (mm) | D2 (mm) | L1 (mm) | L2 (mm) | Objednací číslo |
|--------------|--------|-------|-----------------|-----------------|-----------------|---------|---------|---------|---------|-----------------|
| DIN 69872    | SK 40  | M16   | -               | ✓               |                 | 19      | 14      | 54      | 26      | DIN69872-SK40-P |
|              |        |       |                 |                 | ✓               |         |         |         |         | DIN69872-SK40-S |
|              | SK 50  | M24   | -               | ✓               |                 | 28      | 21      | 74      | 34      | DIN69872-SK50-P |
|              |        |       |                 |                 | ✓               |         |         |         |         | DIN69872-SK50-S |
| ISO 7388 - B | SK 40  | M16   | -               | ✓               |                 | 18,95   | 12,95   | 44,5    | 16,4    | ISO7388-SK40-P  |
|              |        |       |                 |                 | ✓               |         |         |         |         | ISO7388-SK40-S  |
|              | SK 50  | M24   | -               | ✓               |                 | 29,1    | 19,6    | 65,5    | 25,5    | ISO7388-SK50-P  |
|              |        |       |                 |                 | ✓               |         |         |         |         | ISO7388-SK50-S  |
| MAS-BT       | BT 40  | M16   | 45°             | ✓               |                 | 15      | 10      | 60      | 35      | MASBT-BT40-45-P |
|              |        |       | 45°             |                 | ✓               |         |         |         |         | MASBT-BT40-45-S |
|              |        |       | 60°             | ✓               |                 |         |         |         |         | MASBT-BT40-60-P |
|              |        |       | 60°             |                 | ✓               |         |         |         |         | MASBT-BT40-60-S |
|              |        |       | 90°             | ✓               |                 |         |         |         |         | MASBT-BT40-90-P |
|              | 90°    |       | ✓               | MASBT-BT40-90-S |                 |         |         |         |         |                 |
|              | BT 50  | M24   | 45°             | ✓               |                 | 23      | 17      | 85      | 45      | MASBT-BT50-45-P |
|              |        |       | 45°             |                 | ✓               |         |         |         |         | MASBT-BT50-45-S |
|              |        |       | 60°             | ✓               |                 |         |         |         |         | MASBT-BT50-60-P |
|              |        |       | 60°             |                 | ✓               |         |         |         |         | MASBT-BT50-60-S |
| 90°          |        |       | ✓               |                 | MASBT-BT50-90-P |         |         |         |         |                 |
| 90°          |        | ✓     | MASBT-BT50-90-S |                 |                 |         |         |         |         |                 |

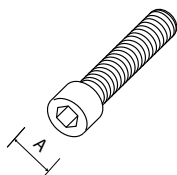
# ► Upínací šrouby, klíče a chladicí trubičky

## KŘÍŽOVÉ šrouby



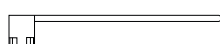
| Objednací číslo | Pro ø D1 (mm) | Závit (mm) |
|-----------------|---------------|------------|
| 225-03          | 16            | M8         |
| 225-04          | 22            | M10        |
| 225-05          | 27            | M12        |
| 225-06          | 32            | M16        |
| 225-07          | 40            | M20        |

## INBUS šrouby



| Objednací číslo | Pro ø D1 (mm) | Závit (mm) | A (mm) |
|-----------------|---------------|------------|--------|
| 957-M8          | 16            | M8         | 12,9   |
| M-1035-HS       | 22            | M10        | 14,0   |
| 957-M10         |               | M10        | 15,9   |
| 957-M12         | 27            | M12        | 17,9   |

## Upínací klíče ke KŘÍŽOVÝM šroubům



| Objednací číslo | Pro ø D1 (mm) |
|-----------------|---------------|
| DIN 6368-16     | 16            |
| DIN 6368-22     | 22            |
| DIN 6368-27     | 27            |
| DIN 6368-32     | 32            |
| DIN 6368-40     | 40            |

## CHLADÍČÍ TRUBIČKY pro HSK upínače



| Typ upínače                | Objednací číslo |
|----------------------------|-----------------|
| HSK-A32 (HSK-E32, HSK-F40) | CT-HSK-A32      |
| HSK-A40 (HSK-E40, HSK-F50) | CT-HSK-A40      |
| HSK-A50 (HSK-E50, HSK-F63) | CT-HSK-A50      |
| HSK-A63 (HSK-E63, HSK-F80) | CT-HSK-A63      |
| HSK-A80 (HSK-E80)          | CT-HSK-A80      |
| HSK-A100 (HSK-E100)        | CT-HSK-A100     |
| HSK-A125 (HSK-E125)        | CT-HSK-A125     |

## KLÍČE pro chladicí trubičky pro HSK upínače



| Typ upínače                | Objednací číslo |
|----------------------------|-----------------|
| HSK-A32 (HSK-E32, HSK-F40) | KCT-HSK-A32     |
| HSK-A40 (HSK-E40, HSK-F50) | KCT-HSK-A40     |
| HSK-A50 (HSK-E50, HSK-F63) | KCT-HSK-A50     |
| HSK-A63 (HSK-E63, HSK-F80) | KCT-HSK-A63     |
| HSK-A80 (HSK-E80)          | KCT-HSK-A80     |
| HSK-A100 (HSK-E100)        | KCT-HSK-A100    |