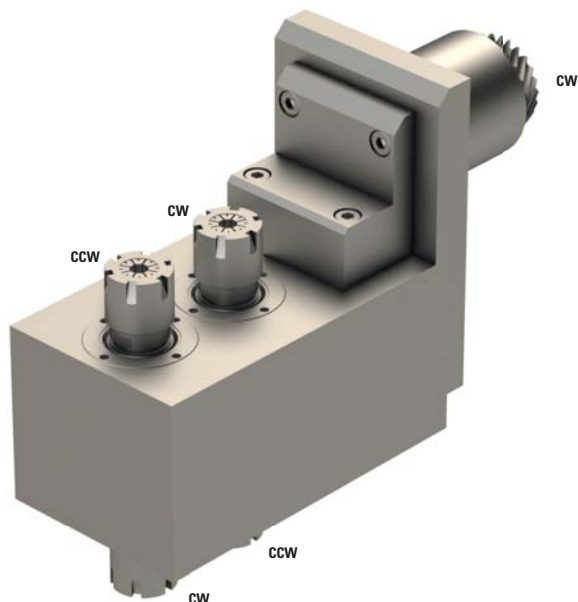




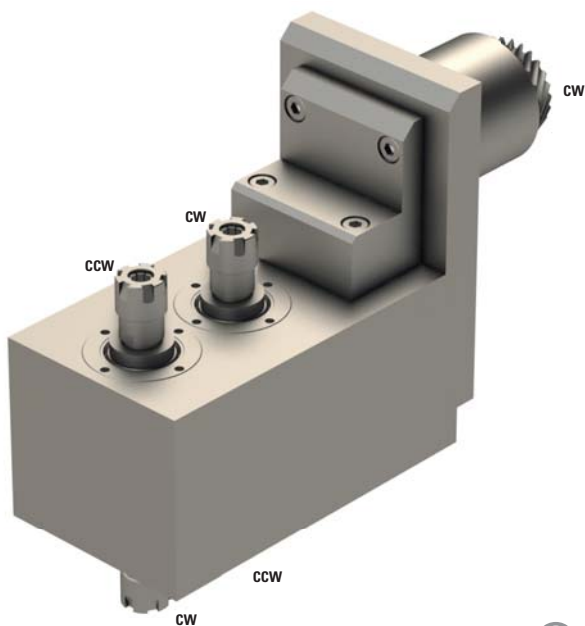
SV20-TSE-010





	2xER16+2xER16
	1:1
RPM max.	6'000
Machines Types	ECAS-20T
	ST-20
	SV-20
	SV-20R
Note :	



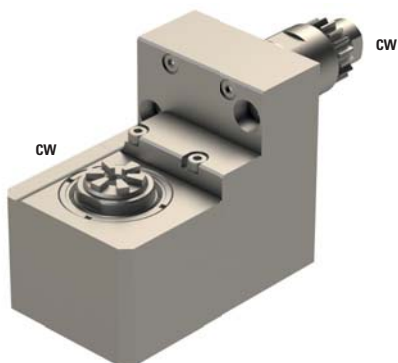
SV20-TSE-207



	2xER11+2xER11
	1:1
RPM max.	6'000
Machines Types	ECAS-20T
	ST-20
	SV-20
	SV-20R
Note :	



SR20J-RSC-007



ER11



1:1

RPM max.

8'000

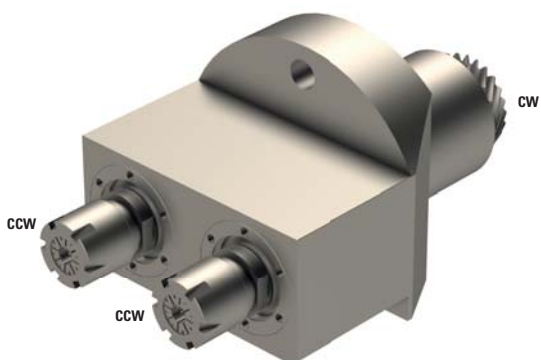
Machines Types


ECAS-12
 ECAS-20
 SB-12
 SB-20R
 SR-10J
 SR-20J
 SR-20JN
 SR-20RIII
 SR-20RII
 SR-20RIV
 SR-32J
 SR-32JN
 SV-20R
 SW-12RII

Note :



SV20-TSC-210



 2xER16

 1:1

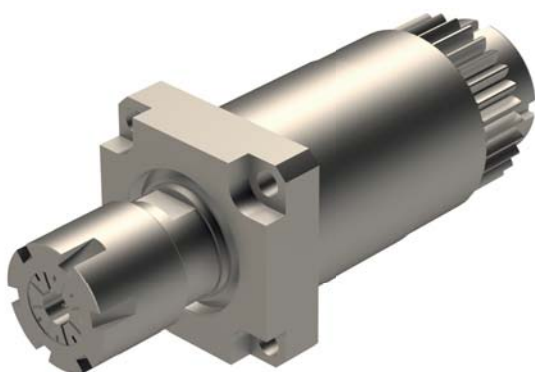
RPM max. 8'000


Machines Types
ECAS-20T
ST-20
SV-12
SV-20
SV-20R

Note :



E20-GSC-110



 ER16

 1:1

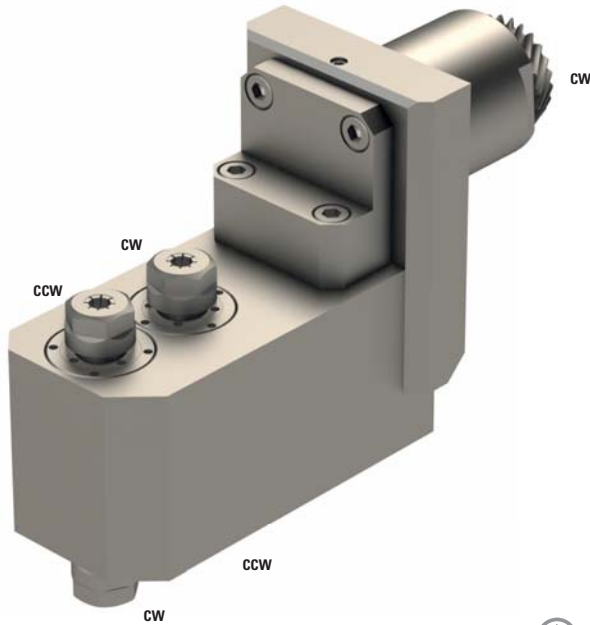
RPM max. 8'000



Machines Types
ECAS-12
ECAS-20
SR-20J
SR-20JN
SR-20RIII
SR-20RII
SR-20RIV
SR-32J
SR-32JN
SV-12
SV-20
SV-32
SV-32JII
SW-20

Note :

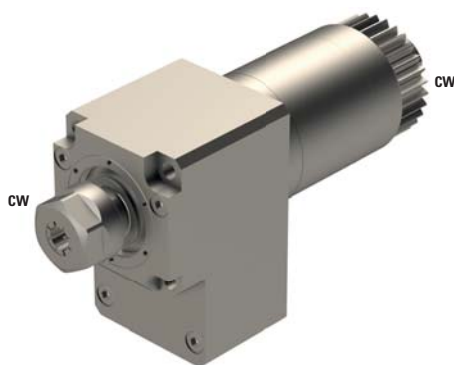




SV20-T2X2X4



	2xER11+2xER11
	1:4
RPM max.	24'000
Machines Types	SV-20 SV-20R SV-12 SV-32JII
Note :	

E20-GSC-3X



	ER11
	1:2.59
RPM max.	14'892.5
Machines Types	ECAS-20T SR-20J SR-20RII SR-20RIV SR-20RIII SV-12 SV-20 SV-32 SV-32J SV-32JN
Note :	

SV20-W15

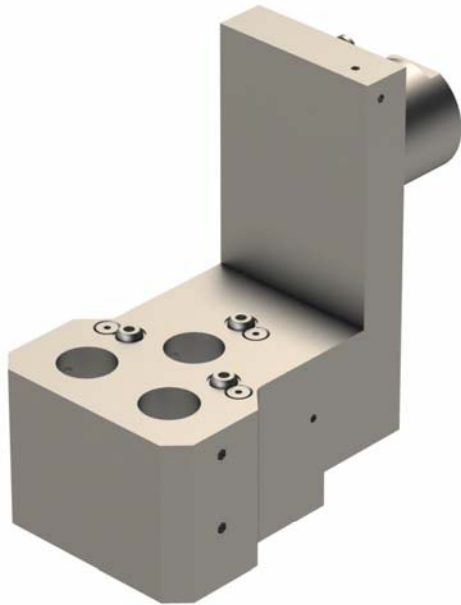


	-
	1:1
RPM max.	3'000
Machines Types	SV-20
Note :	

Use 2 locations
Adjustable $\pm 15^\circ$
SCHWANOG 191884, Z=6, $\varnothing 12$ mm



SV20-901-AR



∅ 3x∅22

⚙️ -

RPM max. -

Machines Types ECAS-20T
ST-20
SV-12
SV-20
SV-20R

Note :

