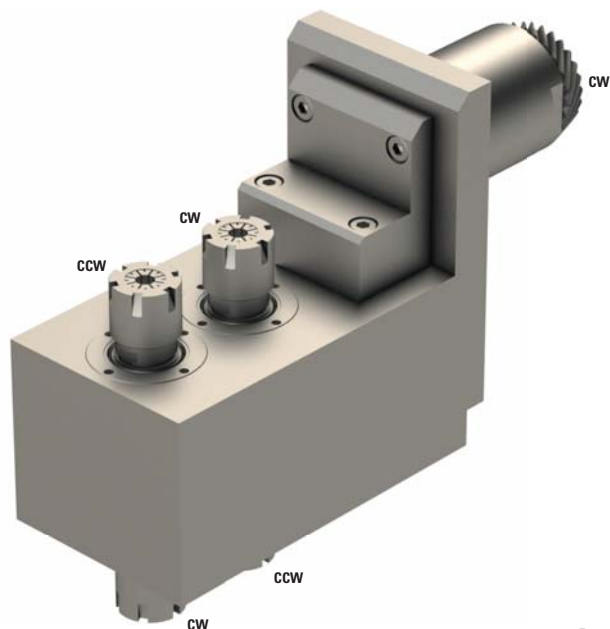




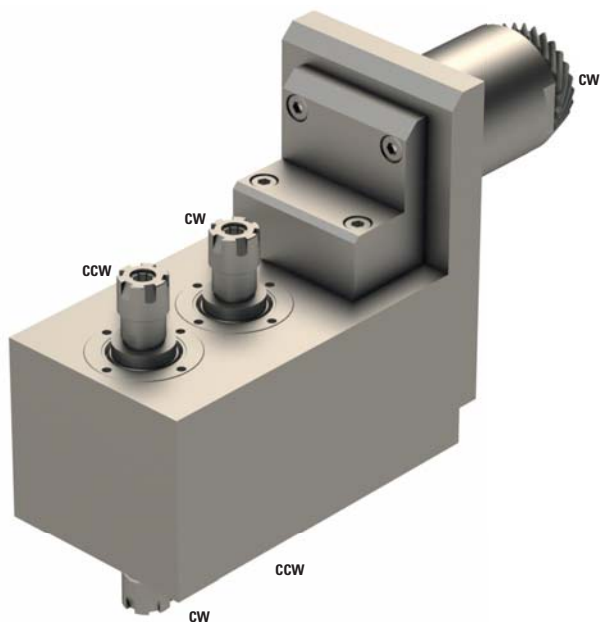
## SV32-TSE-010




	2xER16+2xER16
	1:1
<b>RPM max.</b>	6'000
<b>Machines Types</b>	ECAS-32T SV-38R
<b>Note :</b>	



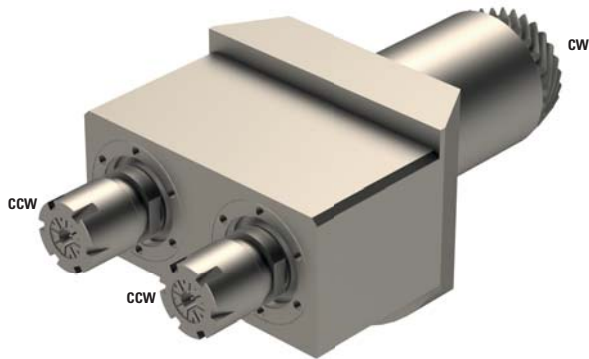
## SV32-TSE-207





	2xER11+2xER11
	1:1
<b>RPM max.</b>	6'000
<b>Machines Types</b>	ECAS-32T SV-38R
<b>Note :</b>	



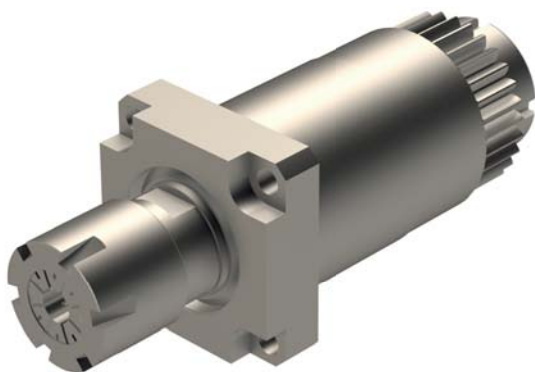
## SV32-TSC-210





	2xER16
	1:1
RPM max.	6'000
<b>Machines Types</b>	ECAS-32T
	SV-32
	SV-38
	SV-38R
<b>Note :</b>	



## E20-GSC-110





	ER16
	1:1
RPM max.	8'000
<b>Machines Types</b>	ECAS-12
	ECAS-20
	SR-20J
	SR-20JN
	SR-20RIII
	SR-20RII
	SR-20RIV
	SR-32J
	SR-32JN
	SV-12
	SV-20
	SV-32
	SV-32JII
	SW-20
<b>Note :</b>	



## E20C-110-K





	ER16
	1:1
RPM max.	6'000
Machines Types	ECAS-32T ST-38 SV-32 SV-38R
Note :	



## E20C-110-IK




	ER16
	1:1
RPM max.	6'000
Machines Types	ECAS-32T ST-38 SV-32 SV-38R
Note :	



## E20-GSC-3X



	ER11
---	------

	1:2.59
---	--------

<b>RPM max.</b>	14'892.5
-----------------	----------

### Machines Types

ECAS-20T  
 SR-20J  
 SR-20RII  
 SR-20RIV  
 SR-20RIII  
 SV-12  
 SV-20  
 SV-32  
 SV-32J  
 SV-32JN

**Note :**



## SV32-W20



	-
	1:1
<b>RPM max.</b>	6'000
<b>Machines Types</b>	SV-32
<b>Note :</b>	

Use 2 locations  
Adjustable  $\pm 20^\circ$   
SCHWANOG 191884, Z=6,  $\varnothing 12$  mm

