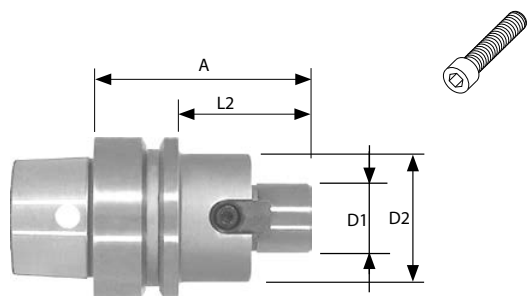
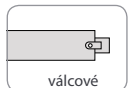


HSK-E NÁSTRČNÉ upínače s HSK-E stopkou



TYP ODLEHČENÍ



NOVINKA

HSK-E 40

| D1 (mm) | L2 (mm) | D2 (mm) | A (mm) | JET | |
|---------|---------|---------|--------|-----------------|--|
| | | | | Objednací číslo | |
| 16 | 15 | 35 | 35 | 901-E4016 | |

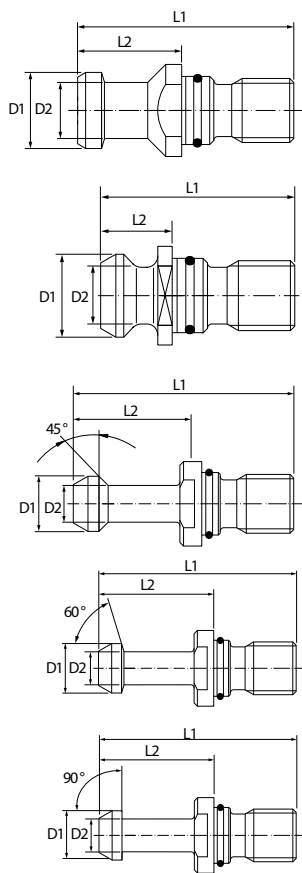
HSK-E 50

| D1 (mm) | L2 (mm) | D2 (mm) | A (mm) | JET | |
|---------|---------|---------|--------|-----------------|--|
| | | | | Objednací číslo | |
| 16 | 20 | 35 | 46 | 901-E5016 | |
| | 22 | 40 | 48 | 901-E5022 | |
| | 50 | 40 | 76 | 901-E502250 | |
| | 100 | 40 | 126 | 901-E5022100 | |
| | 150 | 40 | 176 | 901-E5022150 | |

HSK-E 63

| D1 (mm) | L2 (mm) | D2 (mm) | A (mm) | JET | |
|---------|---------|---------|--------|-----------------|--|
| | | | | Objednací číslo | |
| 16 | 20 | 35 | 46 | 901-E6316 | |
| | 25 | 35 | 51 | 901-E631625 | |
| | 50 | 40 | 76 | 901-E632250 | |
| 22 | 75 | 40 | 101 | 901-E632275 | |
| | 100 | 40 | 126 | 901-E6322100 | |
| 27 | 25 | 48 | 61 | 901-E632725 | |

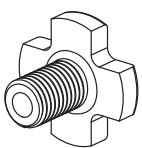
Upínací čepy



| | Stopka | Závit | Úhel | Průchozí | Slepý | D1 (mm) | D2 (mm) | L1 (mm) | L2 (mm) | Objednací číslo |
|--------------|--------|-----------------|-----------------|-----------------|-------|---------|---------|---------|---------|-----------------|
| DIN 69872 | SK 40 | M16 | - | ✓ | ✓ | 19 | 14 | 54 | 26 | DIN69872-SK40-P |
| | | | | | | | | | | DIN69872-SK40-S |
| DIN 69872 | SK 50 | M24 | - | ✓ | ✓ | 28 | 21 | 74 | 34 | DIN69872-SK50-P |
| | | | | | | | | | | DIN69872-SK50-S |
| ISO 7388 - B | SK 40 | M16 | - | ✓ | ✓ | 18,95 | 12,95 | 44,5 | 16,4 | ISO7388-SK40-P |
| | | | | | | | | | | ISO7388-SK40-S |
| ISO 7388 - B | SK 50 | M24 | - | ✓ | ✓ | 29,1 | 19,6 | 65,5 | 25,5 | ISO7388-SK50-P |
| | | | | | | | | | | ISO7388-SK50-S |
| MAS-BT | BT 40 | M16 | 45° | ✓ | ✓ | 15 | 10 | 60 | 35 | MASBT-BT40-45-P |
| | | | 45° | | | | | | | MASBT-BT40-45-S |
| | | | 60° | ✓ | | | | | | MASBT-BT40-60-P |
| | | | 60° | | | | | | | MASBT-BT40-60-S |
| | | | 90° | ✓ | | | | | | MASBT-BT40-90-P |
| | 90° | | MASBT-BT40-90-S | | | | | | | |
| | BT 50 | M24 | 45° | ✓ | ✓ | 23 | 17 | 85 | 45 | MASBT-BT50-45-P |
| | | | 45° | | | | | | | MASBT-BT50-45-S |
| | | | 60° | ✓ | | | | | | MASBT-BT50-60-P |
| | | | 60° | | | | | | | MASBT-BT50-60-S |
| 90° | | | ✓ | MASBT-BT50-90-P | | | | | | |
| 90° | | MASBT-BT50-90-S | | | | | | | | |

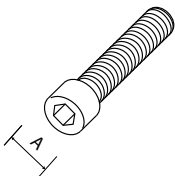
Upínací šrouby, klíče a chladicí trubičky

KŘÍŽOVÉ šrouby



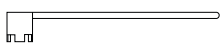
| Objednací číslo | Pro ø D1 (mm) | Závit (mm) |
|-----------------|---------------|------------|
| 225-03 | 16 | M8 |
| 225-04 | 22 | M10 |
| 225-05 | 27 | M12 |
| 225-06 | 32 | M16 |
| 225-07 | 40 | M20 |

INBUS šrouby



| Objednací číslo | Pro ø D1 (mm) | Závit (mm) | A (mm) |
|-----------------|---------------|------------|--------|
| 957-M8 | 16 | M8 | 12,9 |
| M-1035-HS | 22 | M10 | 14,0 |
| 957-M10 | | M10 | 15,9 |
| 957-M12 | 27 | M12 | 17,9 |

Upínací klíče ke KŘÍŽOVÝM šroubům



| Objednací číslo | Pro ø D1 (mm) |
|-----------------|---------------|
| DIN 6368-16 | 16 |
| DIN 6368-22 | 22 |
| DIN 6368-27 | 27 |
| DIN 6368-32 | 32 |
| DIN 6368-40 | 40 |

CHLADÍČÍ TRUBIČKY pro HSK upínače



| Typ upínače | Objednací číslo |
|----------------------------|-----------------|
| HSK-A32 (HSK-E32, HSK-F40) | CT-HSK-A32 |
| HSK-A40 (HSK-E40, HSK-F50) | CT-HSK-A40 |
| HSK-A50 (HSK-E50, HSK-F63) | CT-HSK-A50 |
| HSK-A63 (HSK-E63, HSK-F80) | CT-HSK-A63 |
| HSK-A80 (HSK-E80) | CT-HSK-A80 |
| HSK-A100 (HSK-E100) | CT-HSK-A100 |
| HSK-A125 (HSK-E125) | CT-HSK-A125 |

KLÍČE pro chladicí trubičky pro HSK upínače



| Typ upínače | Objednací číslo |
|----------------------------|-----------------|
| HSK-A32 (HSK-E32, HSK-F40) | KCT-HSK-A32 |
| HSK-A40 (HSK-E40, HSK-F50) | KCT-HSK-A40 |
| HSK-A50 (HSK-E50, HSK-F63) | KCT-HSK-A50 |
| HSK-A63 (HSK-E63, HSK-F80) | KCT-HSK-A63 |
| HSK-A80 (HSK-E80) | KCT-HSK-A80 |
| HSK-A100 (HSK-E100) | KCT-HSK-A100 |